

LuxEOS Flood 9 - 18 - 36

LED LUMINAIRES FOR ARCHITECTURAL LIGHTING

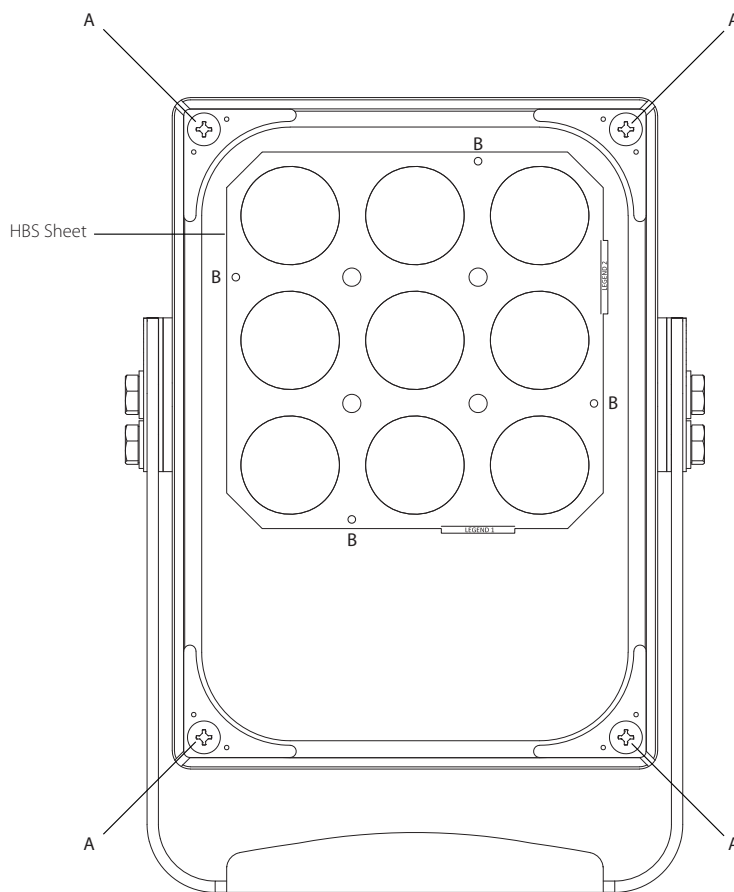
OPTICAL CONTROL - BEAM SHAPING

HBS Beam Shaping

LuxEOS fixtures are fitted with native 3° or 10° lenses. To achieve wider beam angles HBS (Holographic Beam Shaper) film sheets are fitted when manufactured. It is possible to change the HBS film sheets to adjust the beam angle. Standard upgrade kits are available in 20°, 40°, 80°, 10°x60° and 60°x10° deg. HBS sheets are a standard size, the quantities required vary depending on the fixture size, i.e a LuxEOS 9 requires 1 sheet, LuxEOS 18, 2 sheets & LuxEOS 36, 4 sheets

Changing the HBS

- Position the luminaire on its back with the glass facing in an upward direction
- Remove the 4 hex bolts (A) that secure the glass mounting brackets, and remove the brackets
- Carefully remove the front glass taking care to not damage the rubber seal
- Locate the HBS fixing holes (B) as detailed below and if fitted, remove the existing HBS film by lifting out the 4 small plastic pins
- Install the new HBS sheet with the reflective side facing down towards the lenses / rough face facing up towards the front glass and replace the 4 plastic pins
- Please Note - if the HBS replacement sheets are installed the wrong way around, the beam angle will not change and light output will be significantly reduced
- Replace the rubber seal into the groove in the main body of the luminaire
- Refit the front glass ensuring that the rubber seal is still located into the groove
- Replace and refit the corner bracket and retighten the screws (B) evenly in sequence.



LuxEOS Flood 9 Shown